

BGDSC HEAD CURTAIN DOCK SEAL

FEATURES AND SPECIFICATIONS

The BGDSC is constructed to effectively seal 8' wide x 10' high (2.4m x 3m) door openings. It has a full width head curtain. Two foam side pads close the gap between the building wall and the vehicle, keeping internal temperatures level while keeping weather-related hazards out.

Standard units seal trailers 12' to 13.5' (3.6m to 4.1m) high on a typical 4' (1.2m) dock height.

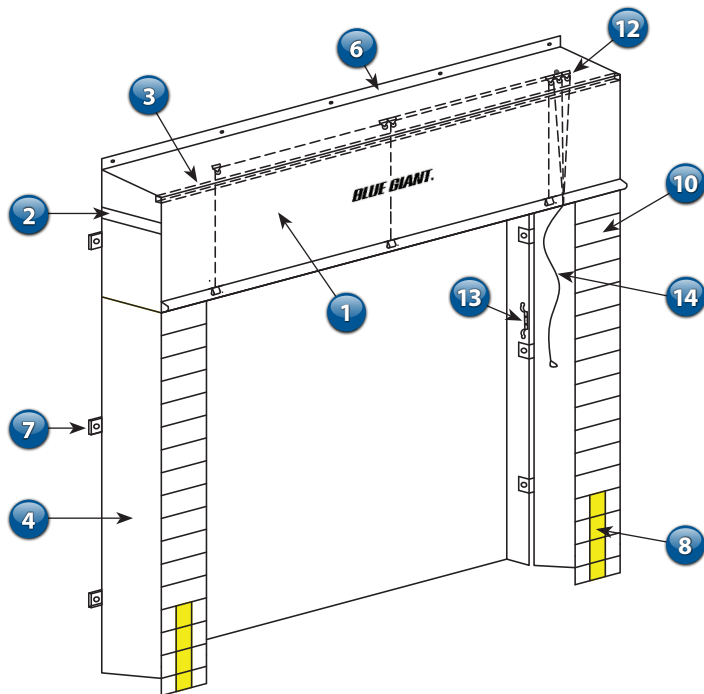
STANDARD FEATURES:

- 10" (254mm) projection
- 22 oz. Hi-Tear vinyl base fabric
- High visibility 24" (610mm) yellow guide stripe
- Waterproof wraparound design with vapour barrier
- Compression release holes
- Condensation draining vents
- 99% memory foam
- Galvanized mounting hardware

For maximum value and performance, the BDGSC can be constructed from premium durability fabrics (see chart for materials, weights, and available colors).

ADDITIONAL OPTIONS INCLUDE:

- Full width head curtain that can be raised and lowered to suit a broad range of trailer heights
- Adjustable with ropes and pulleys
- 4", 8", or 16" (102mm, 203mm or 406mm) wear flaps to suit site requirements
- Velcro® split that allows the curtain to be adjusted even after the truck has docked
- 4" (102mm) full foam face pad with Velcro® split to enable a tighter seal
- Pressure-treated lumber
- PVC drop curtain
- Competitive split, no Velcro® or pulleys



BGDSC Head Curtain Dock Seal

FABRIC AND COLOR SELECTION:

22oz Hi-Tear Vinyl	■	■	■	■
32oz Hi-Tear Vinyl	■			
40oz Hi-Tear Vinyl	■	■	■	■
50oz Hi-Tear Vinyl	■			
16oz Hi-Performance Hypalon	■			
40oz Hi-Performance Hypalon	■			

No.	DESCRIPTION
1	Adjustable head curtain*
2	Curtain hold back strap
3	Square tube curtain support †
4	Side pad
5	Wood backboard †
6	2" (51mm) x 4" (102mm) mounting board (optional flat bar) †
7	Flat bracket
8	4" x 24" (102mm x 610mm) yellow guide stripe
9	Angle bracket
10	Wear flaps *
11	Sealing edge †
If Adjustable Head Curtain option selected:	
12	Pulleys
13	6" (152mm) aluminum rope cleat
14	Curtain retraction cord*

*Some items displayed may be optional
† Not shown on drawing

BLUE GIANT
BLUE GIANT EQUIPMENT CORPORATION

Corporate 85 Heart Lake Road South
Brampton, ON, Canada L6W 3K2
t 905.457.3900 f 905.457.2313

USA 6350 Burnt Poplar Road
Greensboro, NC 27409
www.BlueGiant.com

SS-BGDSC-051413

Blue Giant offers a full line of dock levelers, dock safety equipment, seals and shelters, accessories, ergonomic and scissor lift equipment and industrial trucks. Concurrent with our continuing product improvement program, specifications are subject to change without notice. Please contact Blue Giant for latest information. Some features illustrated may be optional in certain market areas.